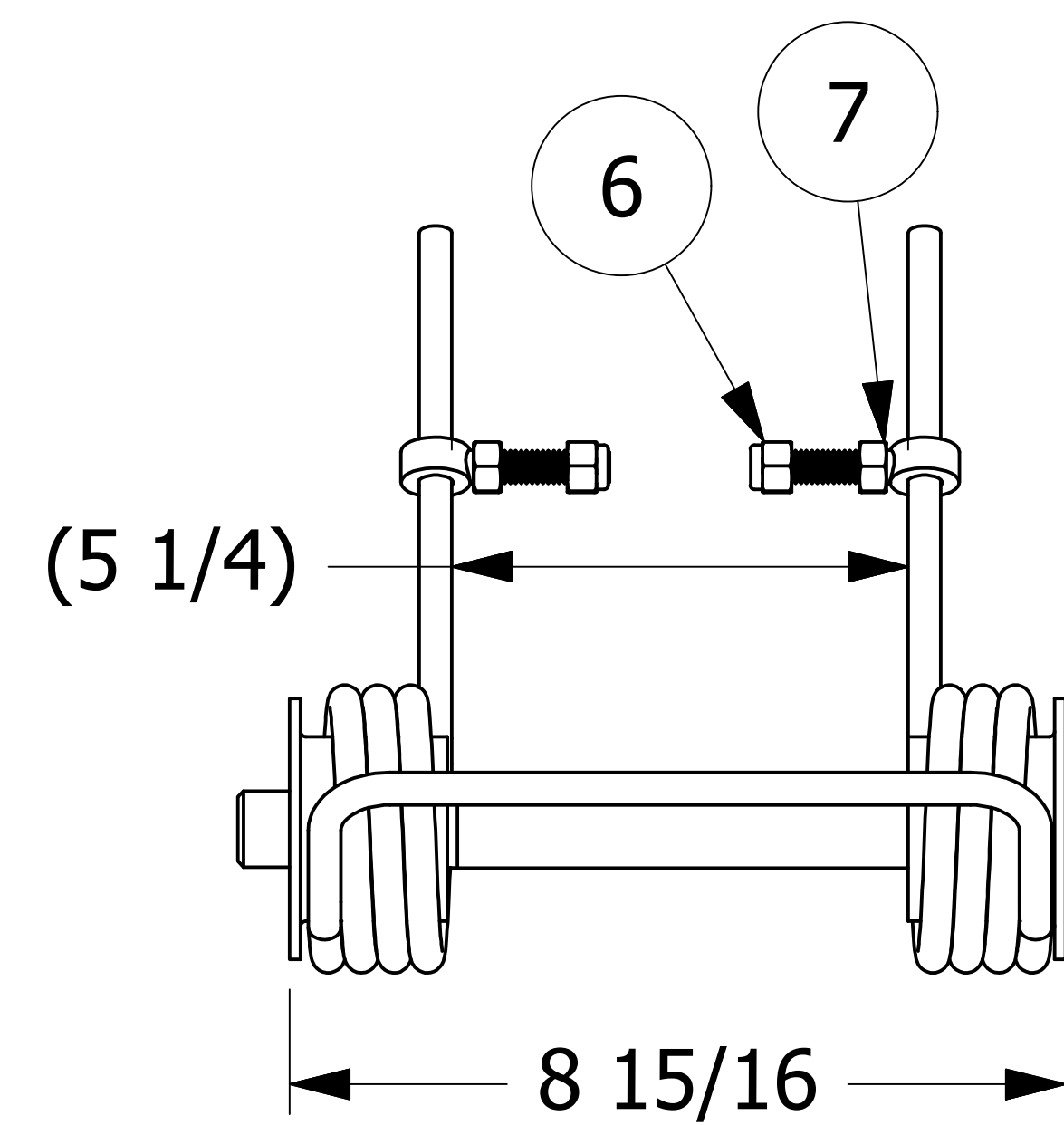
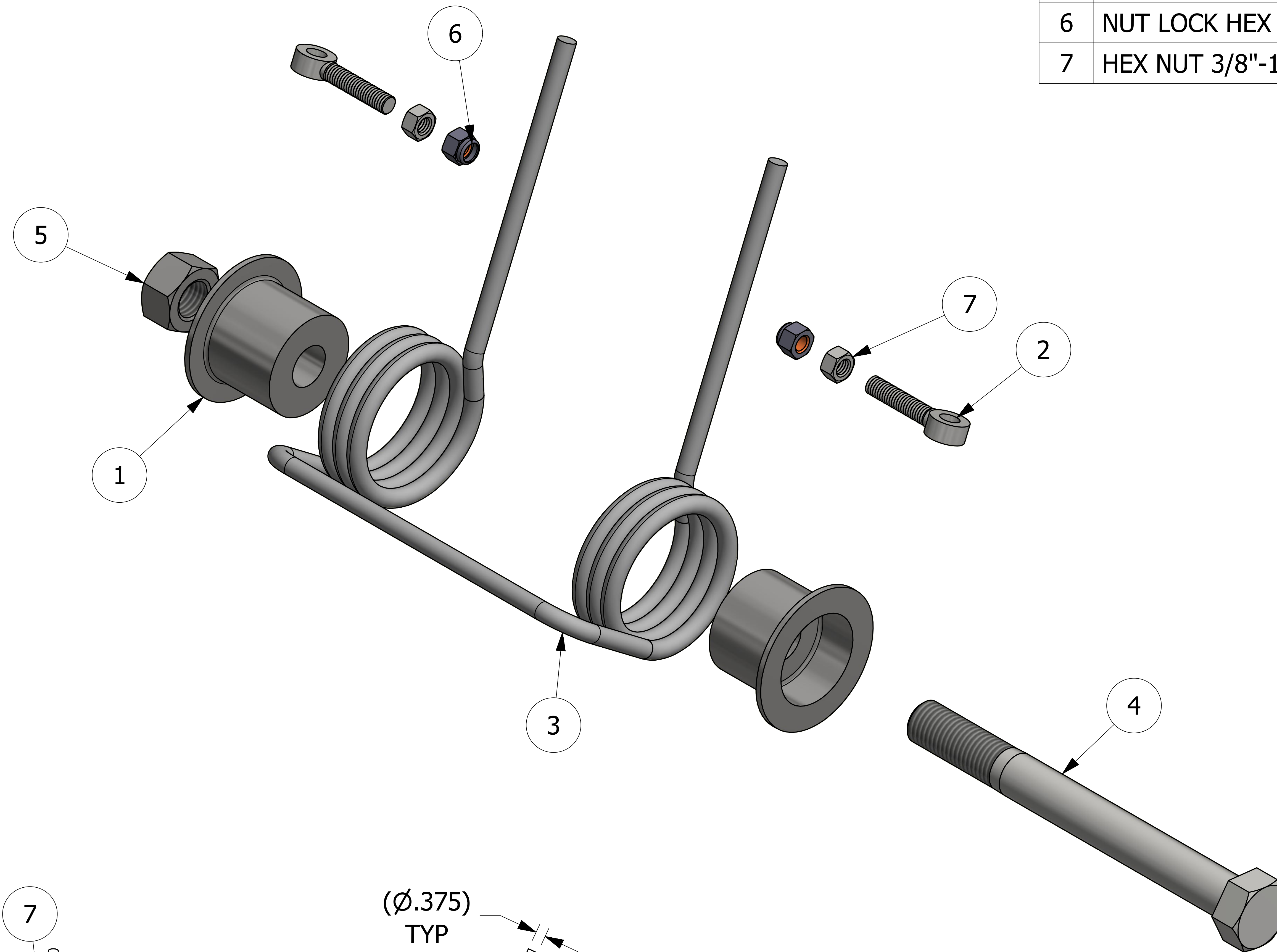
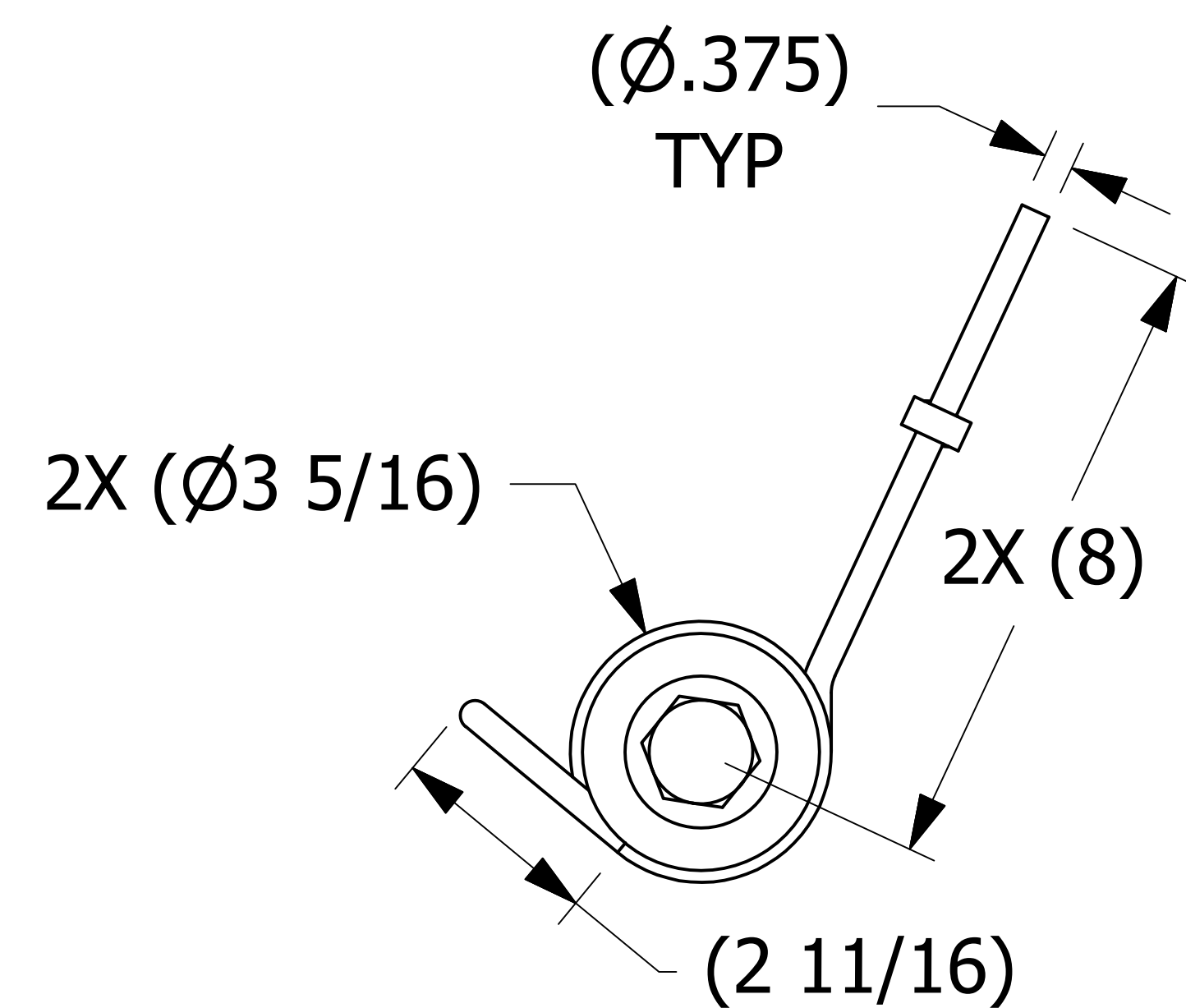


NO.	PART NAME	PART#	REQ'D	MATERIAL
1	BUSHING	A30298	2	CS Z/P
2	3/8"-16 X 2" LATCH EYEBOLT	A35386	2	18-8 SS
3	DUAL TORSION SPRING	C36798	1	302 SS
4	HEX BOLT 7/8"-9X8 1/2"	HB7885C	1	CS Z/P
5	TOP LOCK NUT 7/8"-9	LN70804	1	18-8 SS
6	NUT LOCK HEX 3/8-16	LN70862	2	18-8 SS
7	HEX NUT 3/8"-16	NUT38XSW	2	18-8 SS



FRONT VIEW  
SCALE 1 : 2



- NOTES:  
 1. FITS ON TRINITY 20" STYLE MANWAY COVER.  
 2. APPROX. TORQUE @ 70° DEFLECTION: 150 FT-LBS

C	CHL	6/8/22	UPDATED VIEW OF C36798
B	WEB	10/28/20	REPLACED LN77798 W/ LN70862; UPDATED TITLE BLOCK; SORTED BOM
A	VD	7/23/13	RELEASED FOR PRODUCTION
REV	BY	DATE	DESCRIPTION

UNLESS OTHERWISE SPECIFIED DIMENSIONAL TOLERANCES FRACTIONAL: ±1/16	DRAWN BY:	VD
X.XX: ±.03	CHECKED BY:	WRB
X.XXX: ±.015	PROTOTYPE DATE:	7/23/2013
ANGULAR: ±1°	APPROVED FOR PRODUCTION BY:	VD
DEBURR ALL SHARP EDGES. ALL MACHINED SURFACES TO HAVE A 125 RMS FINISH UNLESS NOTED OTHERWISE.	PRODUCTION DATE:	7/23/2013
THIRD ANGLE PROJECTION	SIZE:	E
	DRAWING #:	36800

**SALCO PRODUCTS, INC.**

**LIFT ASSIST**

**SEE BOM**

PROJECT #: 110228      SHEET #: 1 OF 1      SCALE: 1:2

PART #: **LAD20TR3**