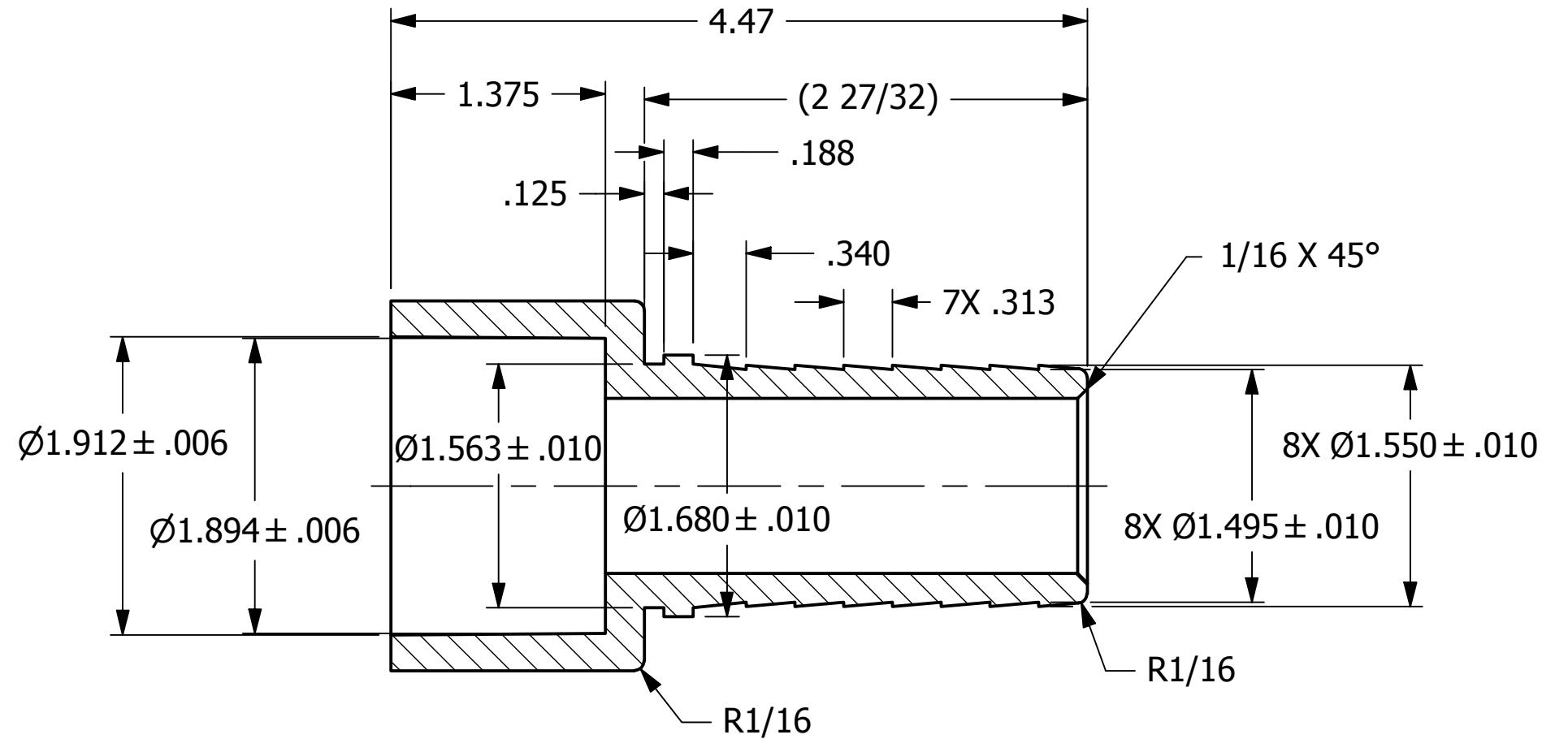
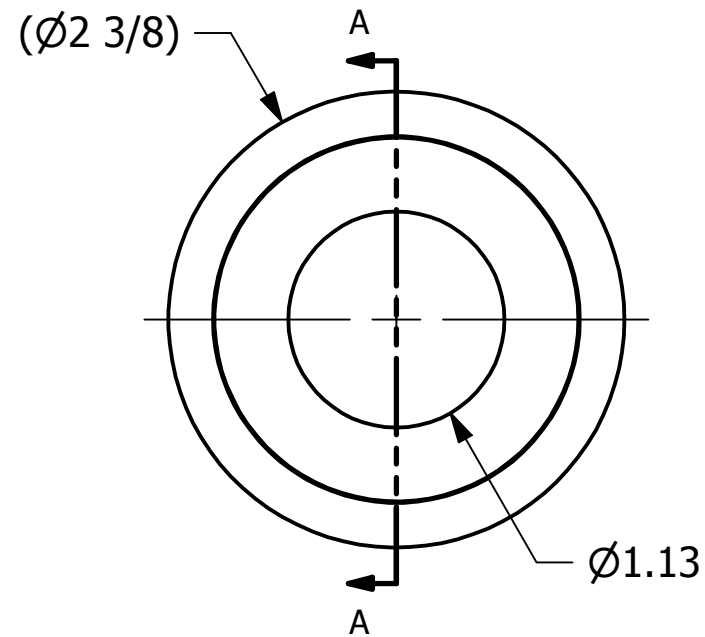


NO.	PART NAME	PART #	REQ'D	MATERIAL
1	ROUND TUBE 2 3/8"X1"	RNDTUBE2381PVGR	.39 FT	PVC



SECTION A-A

NOTE:
MTR REQUIRED.

A	JG	2-17-15	RELEASED FOR PRODUCTION
REV	BY	DATE	DESCRIPTION

<small>UNLESS OTHERWISE SPECIFIED DIMENSIONAL TOLERANCES</small> FRACTIONAL: ±1/16 X.XX: ±.03 X.XXX: ±.015 ANGULAR: ±1° <small>DEBURR ALL SHARP EDGES. ALL MACHINED SURFACES TO HAVE A 125 RMS FINISH UNLESS NOTED OTHERWISE.</small> <small>THIRD ANGLE PROJECTION</small>	DRAWN BY:	PJG
	CHECKED BY:	GS
	PROTOTYPE BY:	PJG
	PROTOTYPE DATE:	8/21/2007
	APPROVED FOR PRODUCTION BY:	GS
	PRODUCTION DATE:	2/17/2015

SALCO PRODUCTS, INC.		
PART NAME: HOSE BARB 1 1/2"		
MATERIAL: SEE BOM		
PROJECT #: 070810	SHEET #: 1 OF 1	SCALE: 1:1
DRAWING #: B24006	PART #: HS15PVCKCSKT	