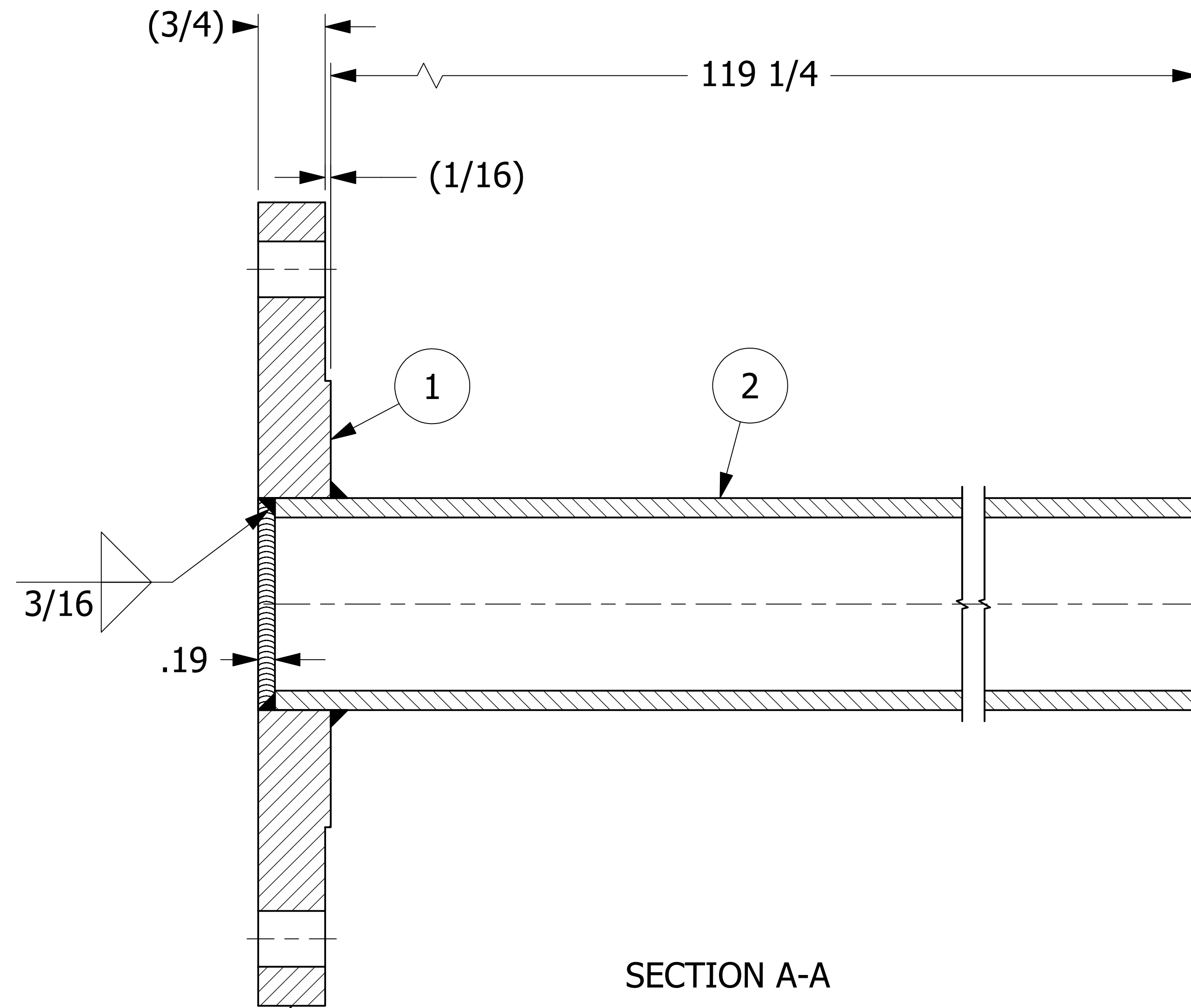
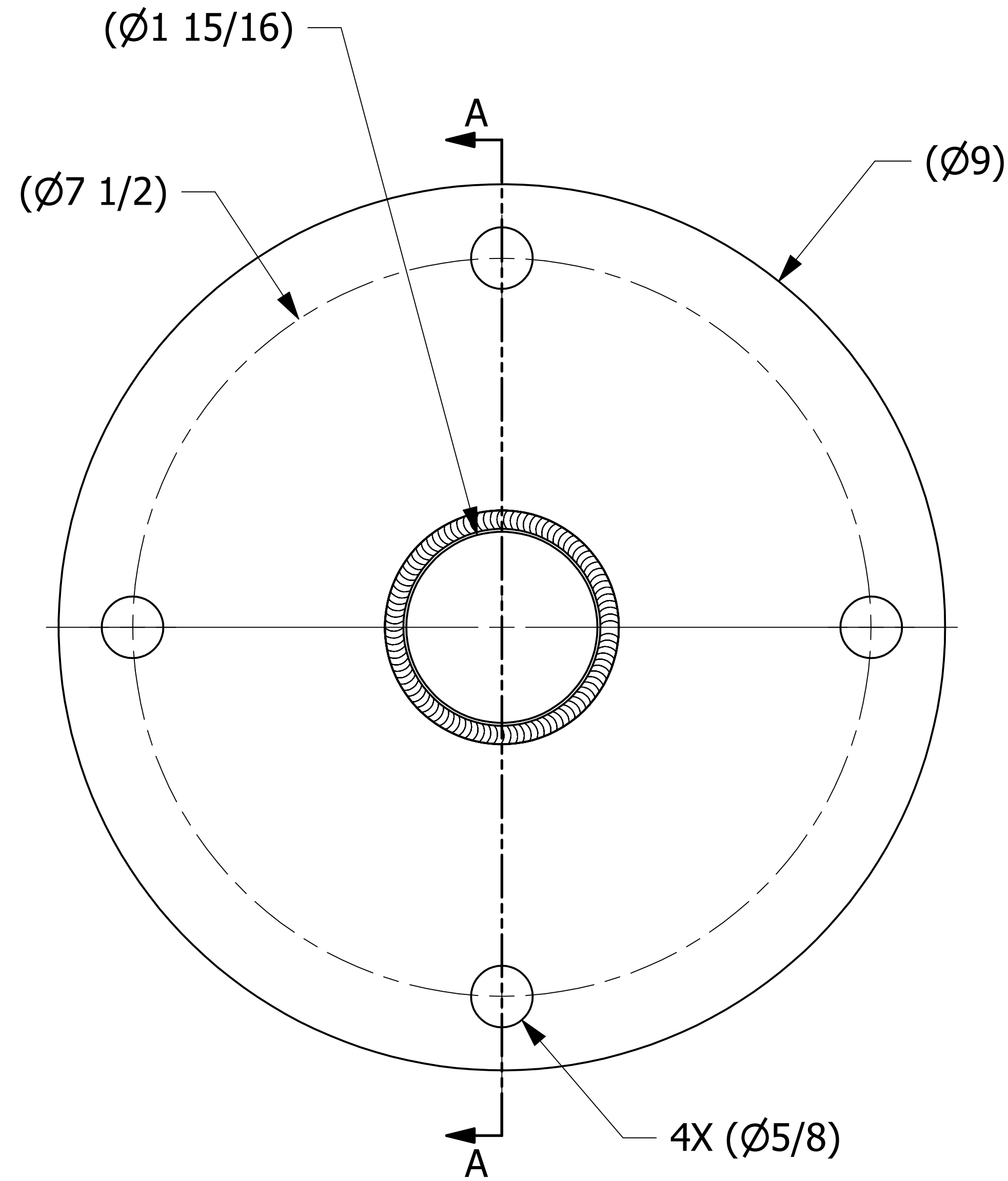



NO	PART NAME	PART#	REQ'D	MATERIAL
1	FLANGE 7 1/2"	C46324	1	316 SS
2	PIPE 2" SCH 80	P2S680	10.02 FT	SEE NOTE



MARK PER QAP5A-1
TEXT HEIGHT .1" MIN

- NOTES:
1. SEE DOCUMENT DSS 12 FOR WELDING SPECIFICATIONS.
 2. SEE DOCUMENT QAP5A-1 FOR MARKING PROCEDURE.
 3. P2S680 MATERIAL IS ASTM A312 316 SS SEAMLESS PIPE.

REV	BY	DATE	DESCRIPTION
A	WEB	1-18-18	RELEASED FOR PRODUCTION


EDUCATION TUBE 4"X2"
 MATERIAL: SEE BOM
 PROJECT #: R1711271 SHEET #: 1 OF 1 SCALE: 1:1
 DRAWING #: D46329 PART #: EDT42119S6

UNLESS OTHERWISE SPECIFIED DIMENSIONAL TOLERANCES	DRAWN BY:	WEB
FRACTIONAL: $\pm 1/16$	CHECKED BY:	VD
X.XX: $\pm .03$	PROTOTYPE BY:	WEB
X.XXX: $\pm .015$	PROTOTYPE DATE:	11/29/2017
ANGULAR: $\pm 1^\circ$	APPROVED FOR PRODUCTION BY:	VD
DEBURR ALL SHARP EDGES. ALL MACHINED SURFACES TO HAVE A 125 RMS FINISH UNLESS NOTED OTHERWISE.	PRODUCTION DATE:	1/18/2018
THIRD ANGLE PROJECTION		