

4

3

2

1

D

D

C

C

B

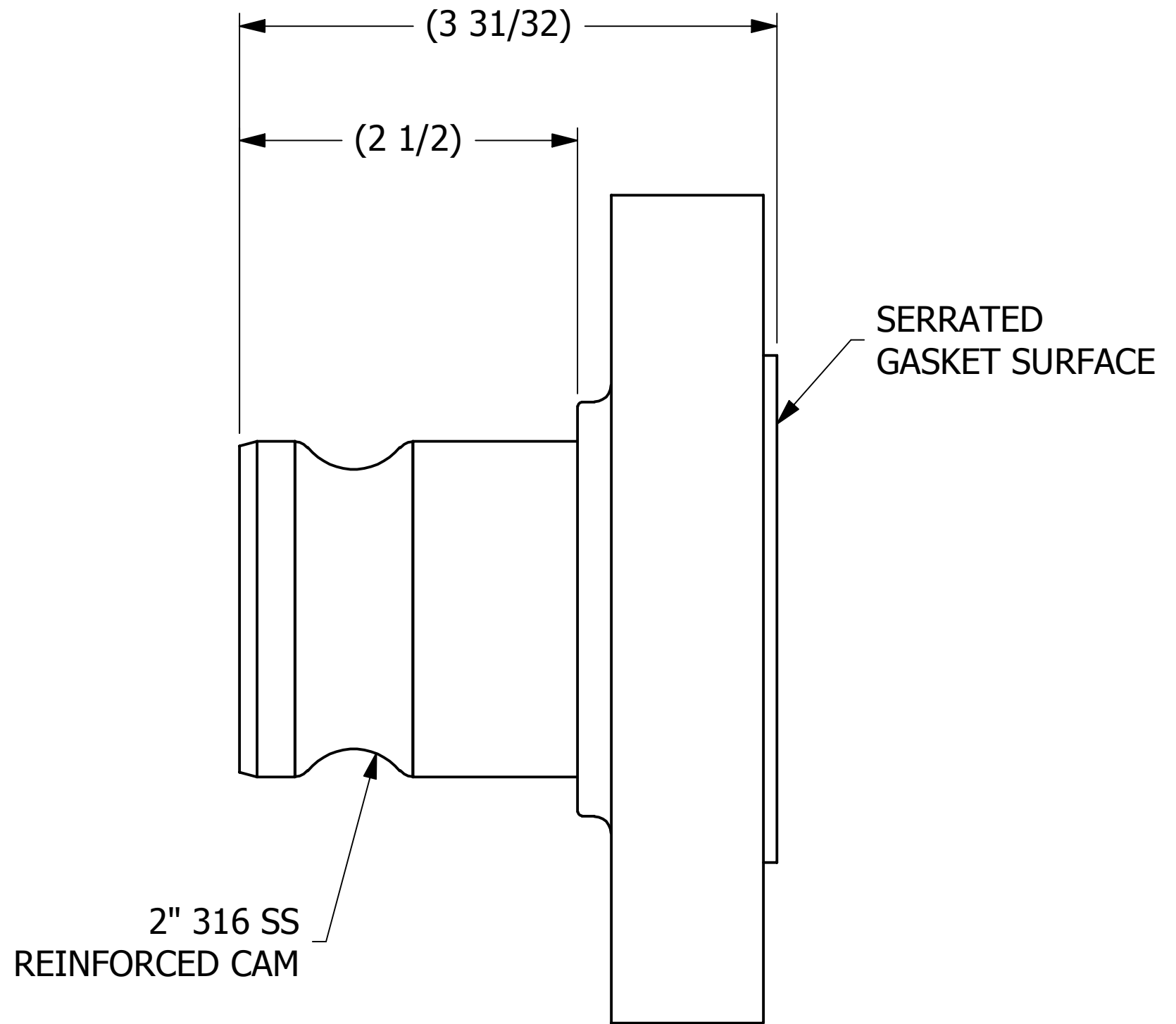
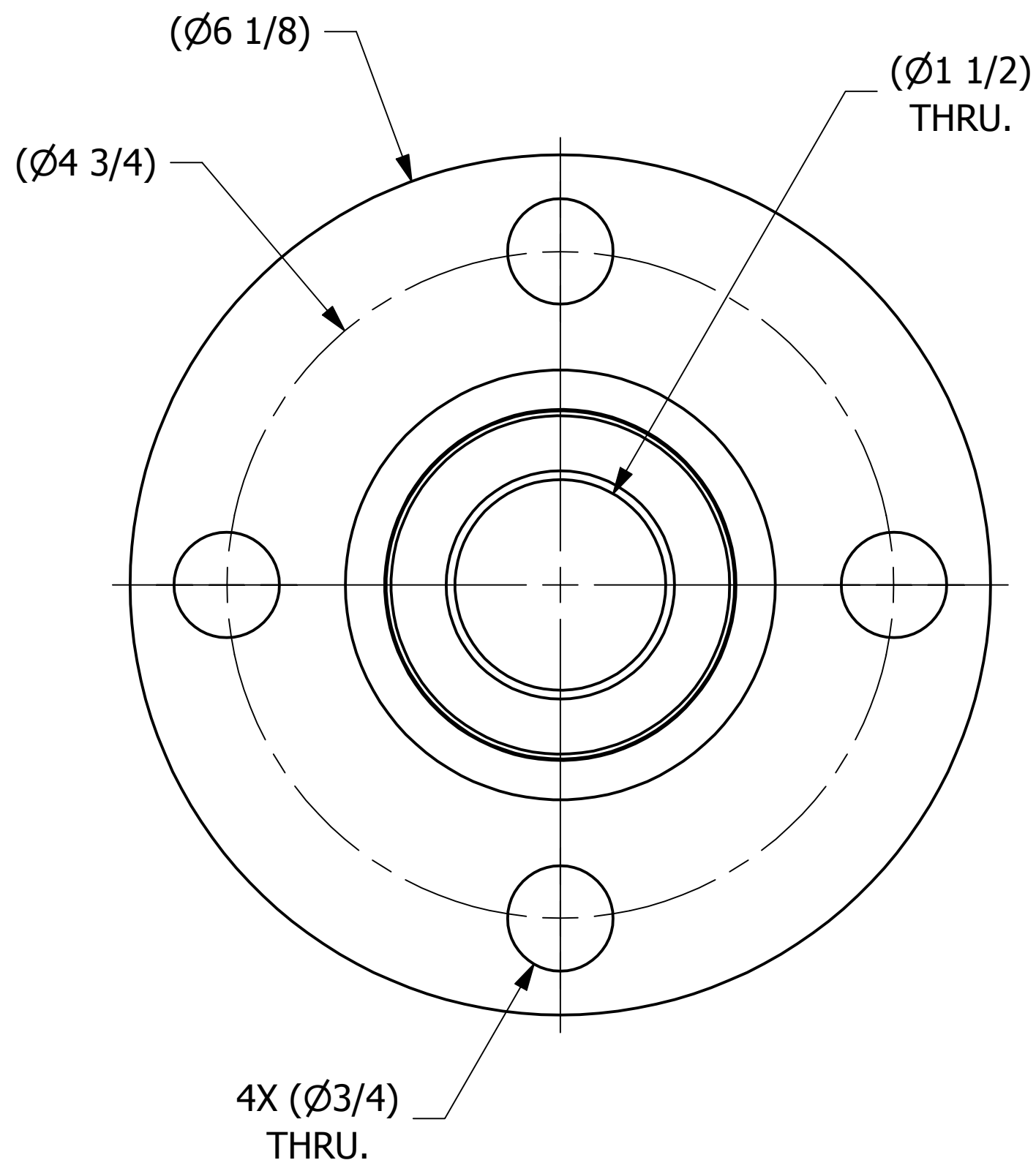
B

A

A

SALES DRAWING

SALES DRAWING



E	JG	2-3-15	UPDATED NOTES
D	GS	4-8-13	UPDATED TITLE BLOCK, NOTES, & LEADERS. DIM 2 1/2 WAS 2 & 3 31/32 WAS 3 15/32
C	GS	5-21-12	REVERTED NOTES BACK TO A REV.
B	JJK	5-16-12	ADDED PATENT PENDING TO DRAWING ADDED TEST PER QAP4C-1 TO NOTES
A	VD	08-18-10	ADDED PART TO SYSTEM.
REV	BY	DATE	DESCRIPTION

UNLESS OTHERWISE SPECIFIED DIMENSIONAL TOLERANCES FRACTIONAL: ±1/16 X.XX: ±.03 X.XXX: ±.015 ANGLE: ±1° DEBURR ALL SHARP EDGES. ALL MACHINED SURFACES TO HAVE A 125 RMS FINISH UNLESS NOTED OTHERWISE. THIRD ANGLE PROJECTION	DRAWN BY:	WRB
	CHECKED BY:	VD
	PROTOTYPE BY:	WRB
	PROTOTYPE DATE:	4/19/2010
	APPROVED FOR PRODUCTION BY:	VD
	PRODUCTION DATE:	8/18/2010

SALCO PRODUCTS, INC.		
PART NAME: QUICK CONNECT FLANGE 2"		
MATERIAL: SALCO PE/SS		
PROJECT #: 090706	SHEET #: 1 OF 1	SCALE: 1:1
DRAWING #: C28532	PART #: HS2FTKRPY	

THIS PRINT, PROPERTY OF SALCO PRODUCTS INC., CONTAINS PROPRIETARY INFORMATION AND MUST NOT BE COPIED, REPRODUCED, OR USED DETRIMENTALLY TO OUR INTEREST.