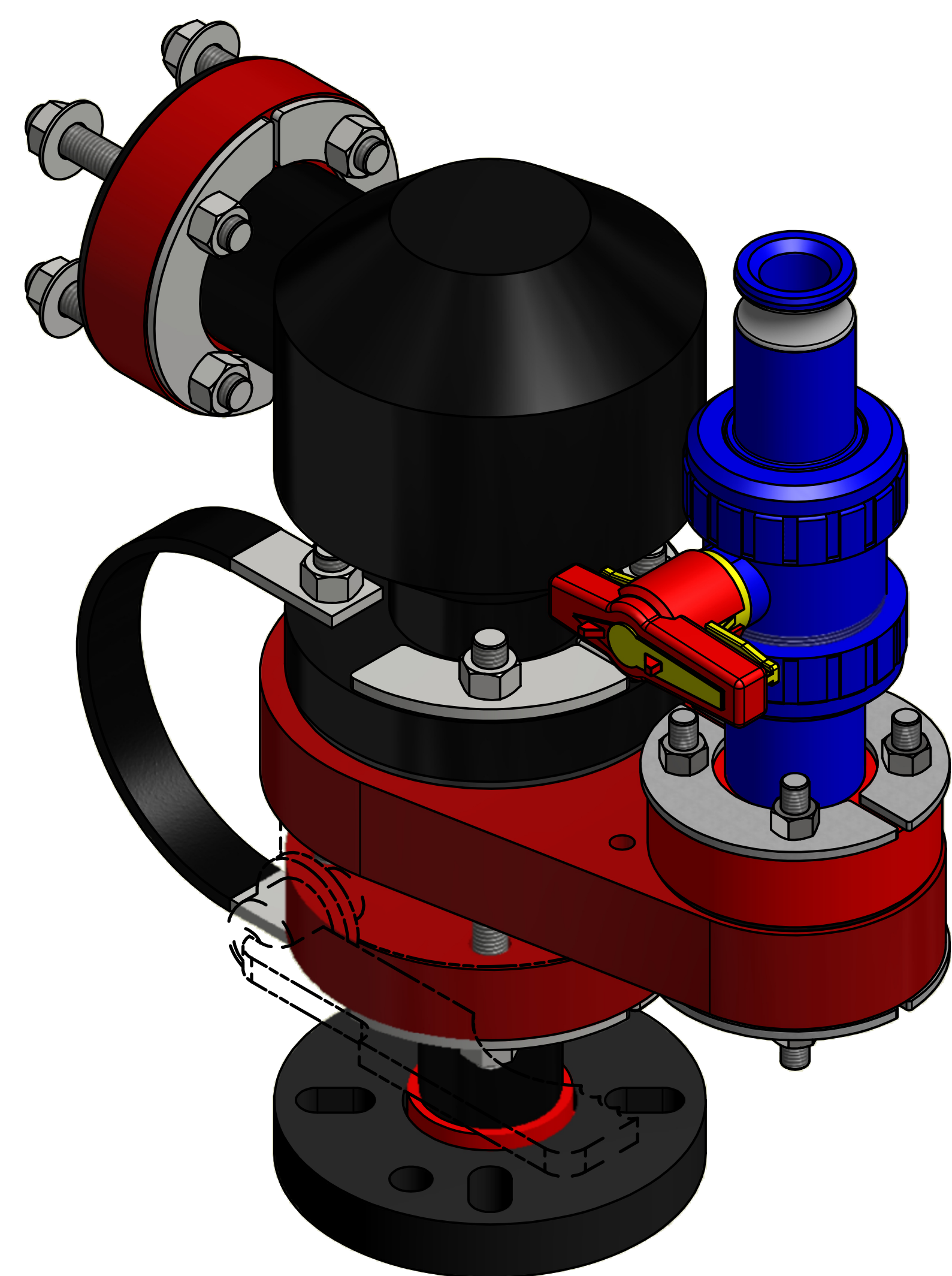
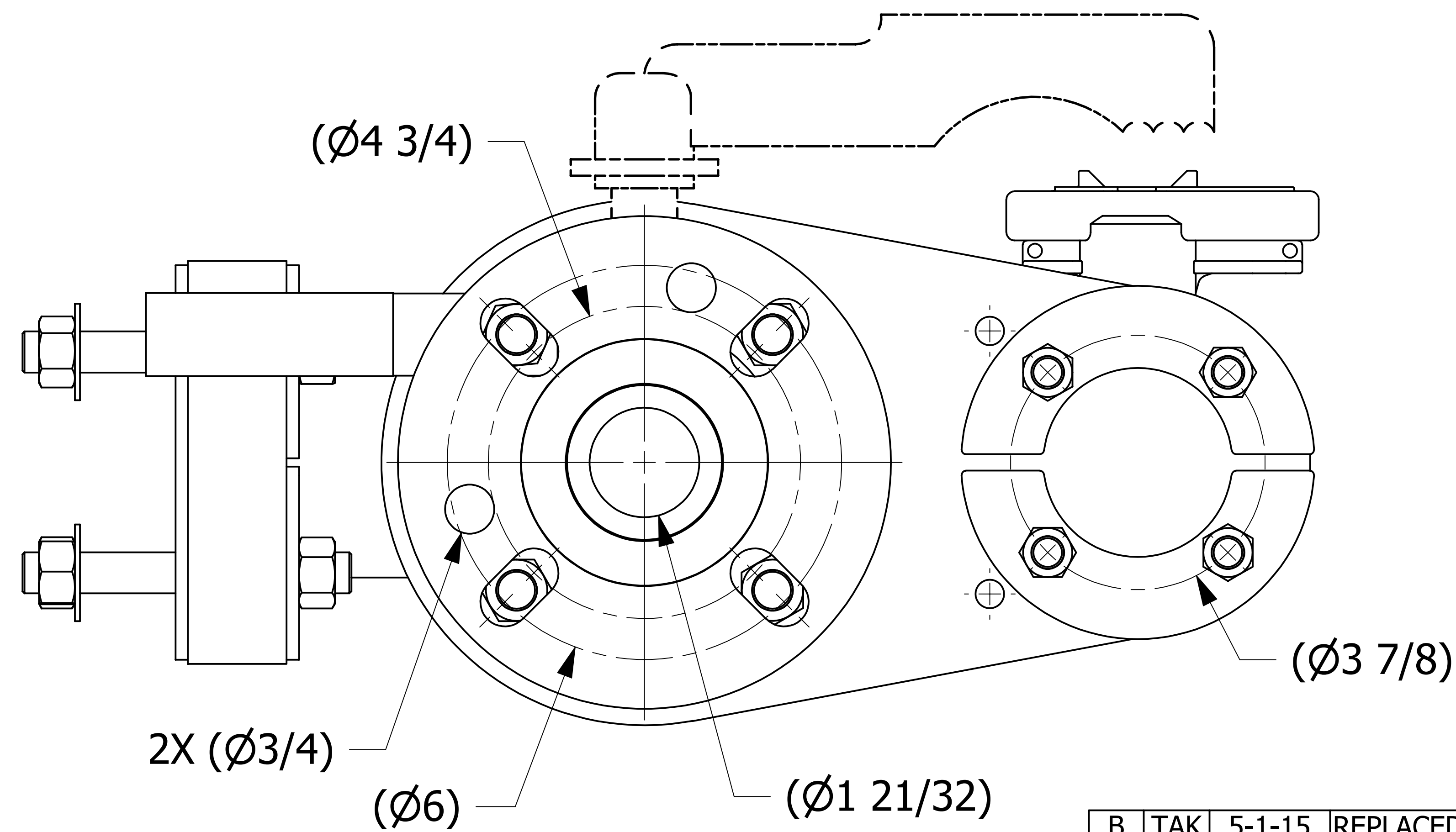
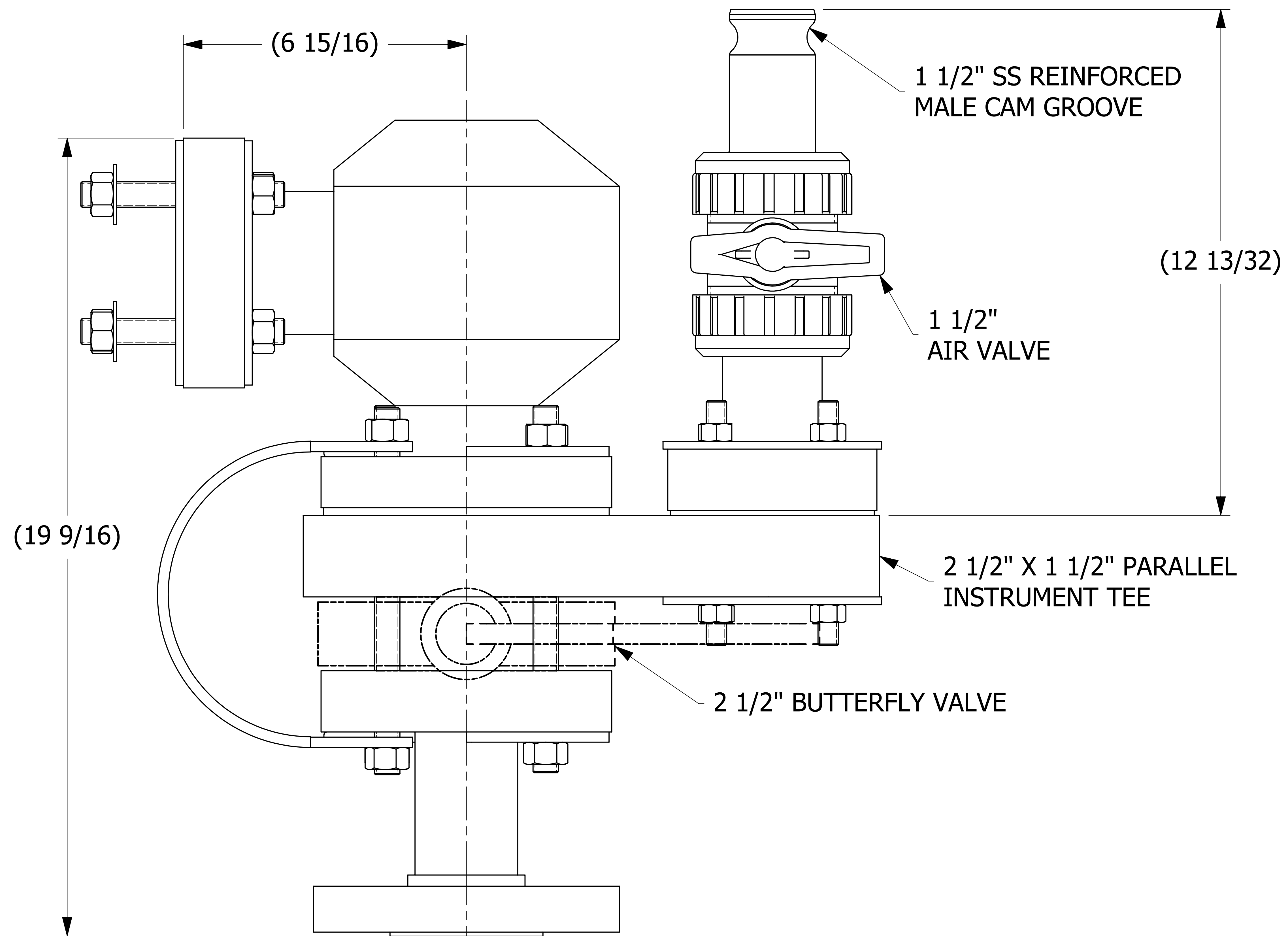
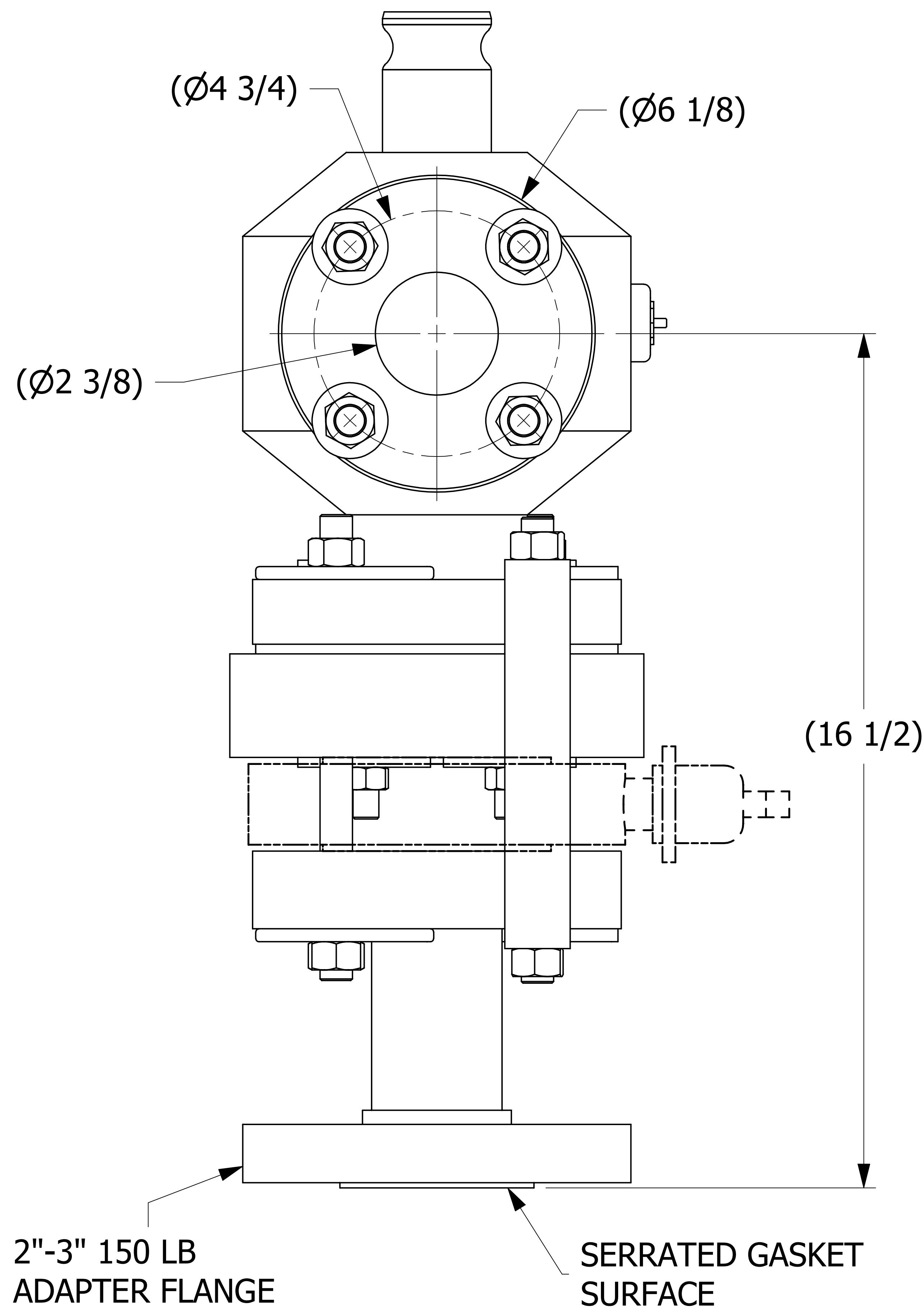


SALES DRAWING SALES DRAWING

SALES DRAWING SALES DRAWING



ISOMETRIC VIEW

NOTES:

1. GASKET MATERIAL IS PEROXIDE CURED BLACK EPDM.
2. APPROXIMATE WEIGHT IS 40 LBS.
3. BUTTERFLY VALVE IS SOLD SEPARATELY.

UNLESS OTHERWISE SPECIFIED DIMENSIONAL TOLERANCES FRACTIONAL: ±1/16	DRAWN BY:	TAK
X.XX: ±.03	CHECKED BY:	CHL
X.XXX: ±.015	PROTOTYPE BY:	TAK
ANGULAR: ±1°	PROTOTYPE DATE:	4/7/2015
DEBURR ALL SHARP EDGES. ALL MACHINED SURFACES TO HAVE A 125 RMS FINISH UNLESS NOTED OTHERWISE.	APPROVED FOR PRODUCTION BY:	TAK
THIRD ANGLE PROJECTION	PRODUCTION DATE:	4/10/2015

B	TAK	5-1-15	REPLACED WS475S09 WITH WS475S10
A	TAK	4-10-15	RELEASED FOR PRODUCTION
REV	BY	DATE	DESCRIPTION

SALCO PRODUCTS, INC.			
PART NAME: VALVE ASSEMBLY 2 1/2"X2"			
MATERIAL: SALCO PE/SS			
PROJECT #:	H150406	SHEET #:	1 OF 1
DRAWING #:	E41285	SCALE:	3:4
PART #:		HSCSLSHMULA10	