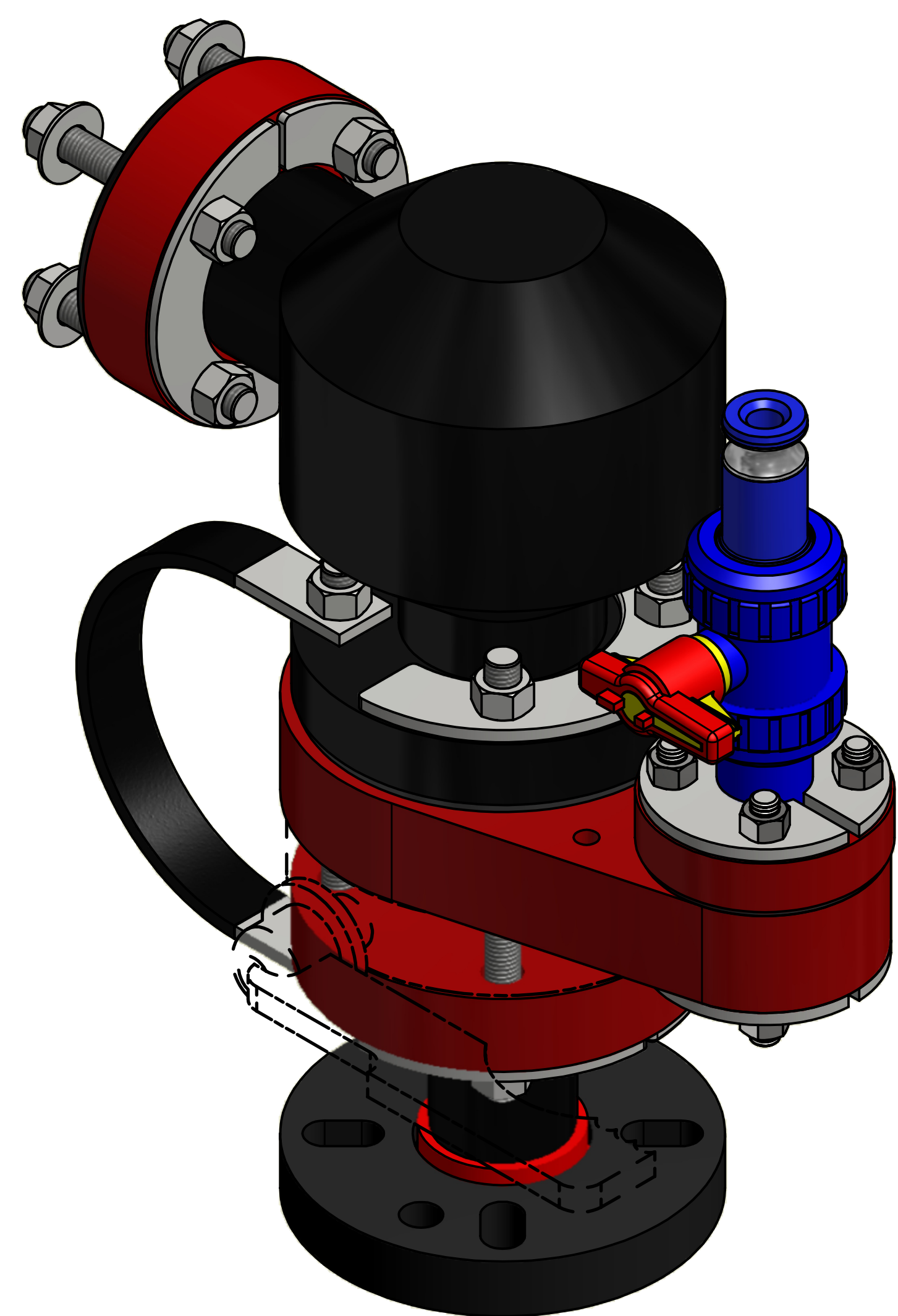
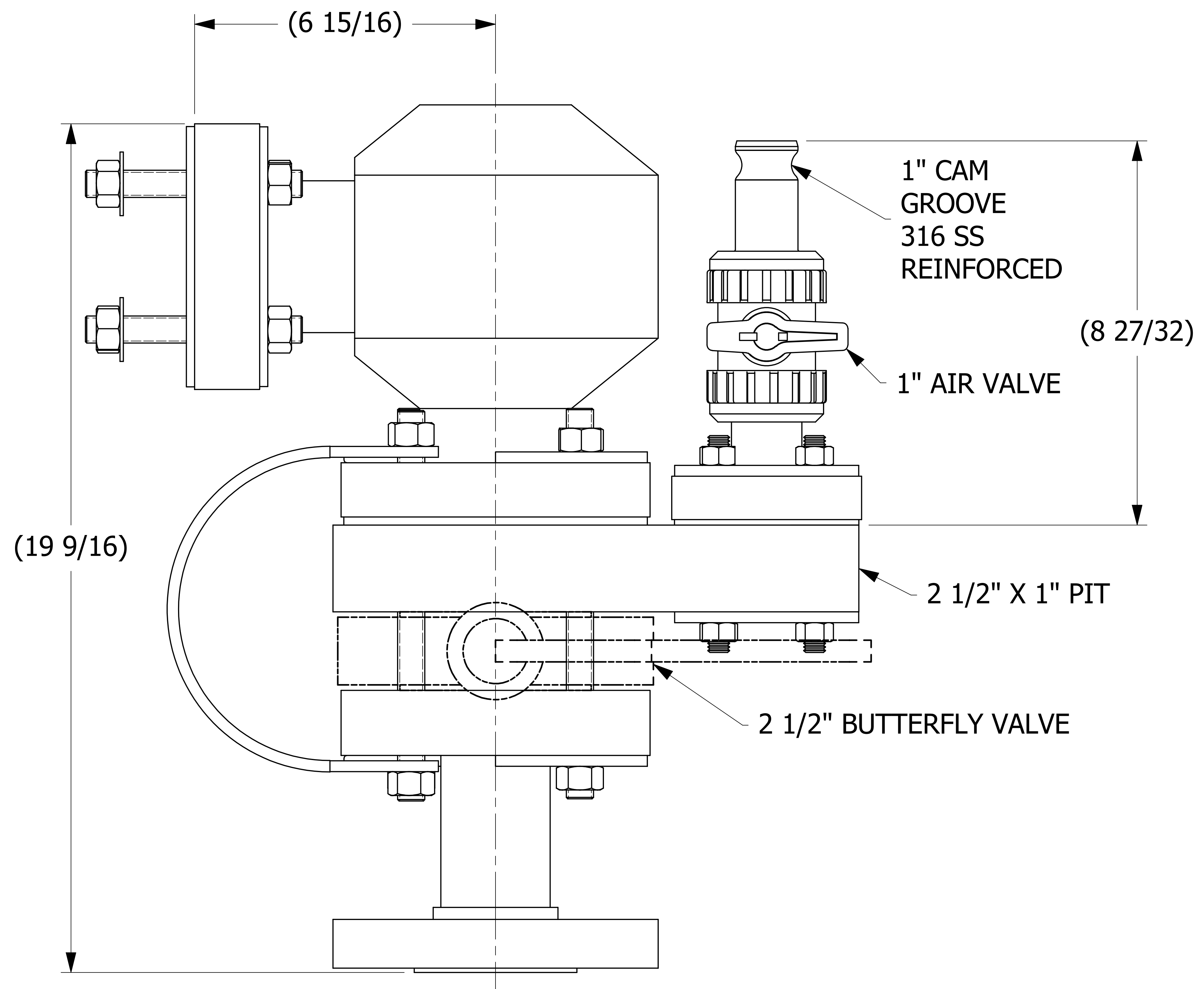
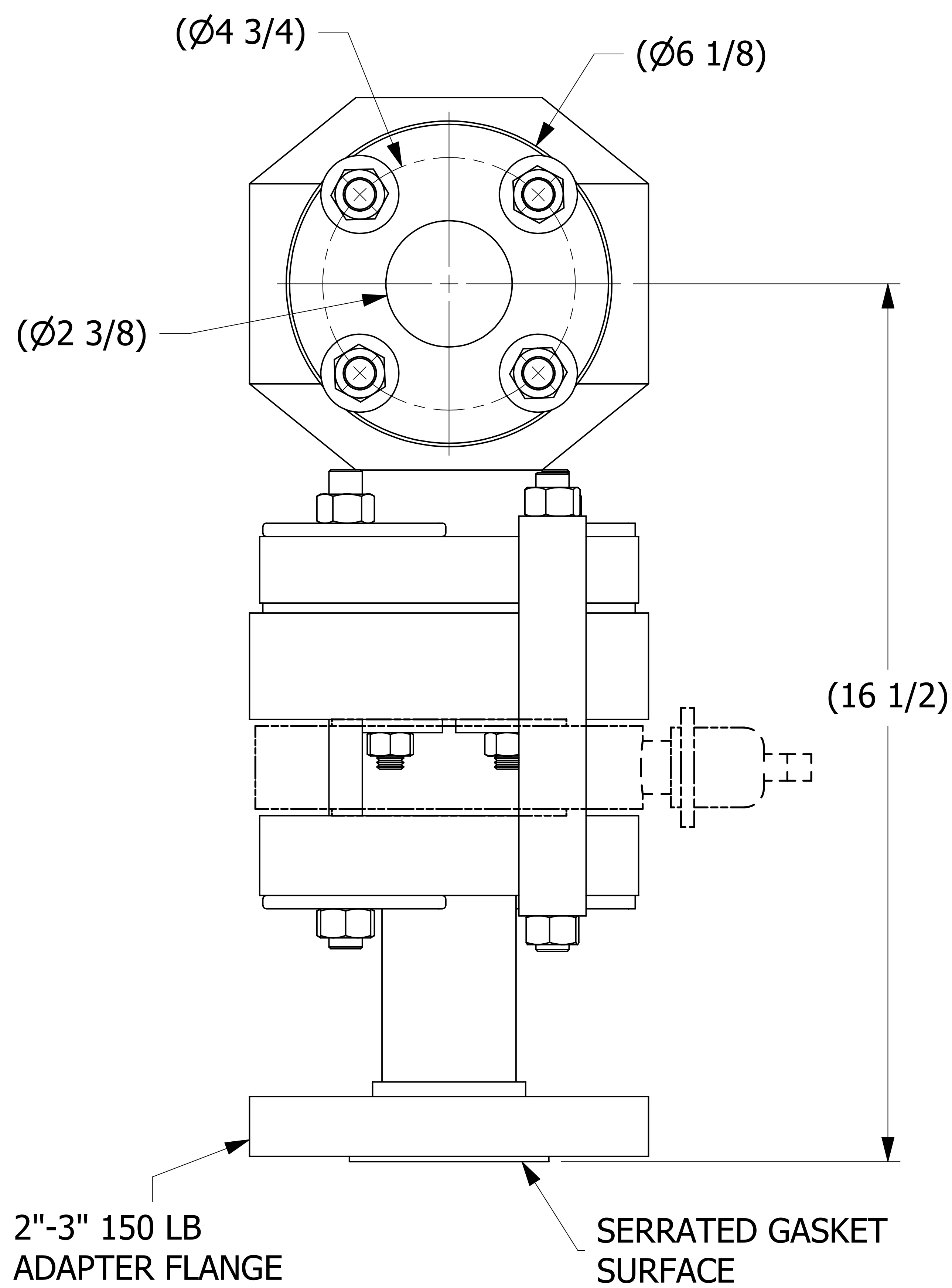
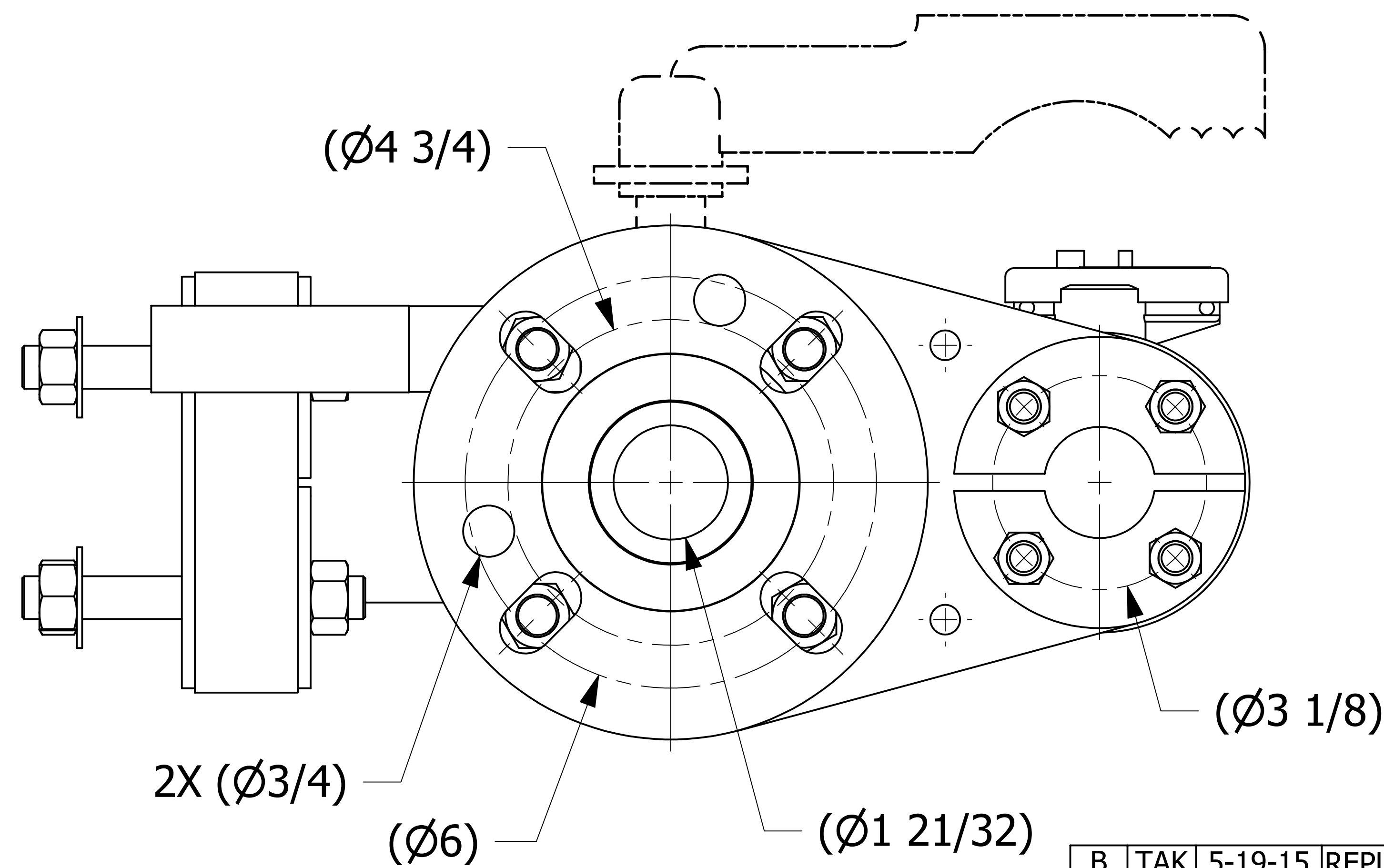


SALES DRAWING SALES DRAWING

SALES DRAWING SALES DRAWING



ISOMETRIC VIEW



**NOTES:**

1. GASKET MATERIAL IS PEROXIDE CURED BLACK EPDM.
2. APPROXIMATE WEIGHT IS 35 LBS.
3. BUTTERFLY VALVE IS SOLD SEPARATELY.

UNLESS OTHERWISE SPECIFIED DIMENSIONAL TOLERANCES FRACTIONAL: ±1/16	DRAWN BY:	RJP
X.XX: ±.03	CHECKED BY:	CHL
X.XXX: ±.015	PROTOTYPE BY:	RJP
ANGULAR: ±1°	PROTOTYPE DATE:	5/1/2015
DEBURR ALL SHARP EDGES. ALL MACHINED SURFACES TO HAVE A 125 RMS FINISH UNLESS NOTED OTHERWISE.	APPROVED FOR PRODUCTION BY:	CHL
THIRD ANGLE PROJECTION	PRODUCTION DATE:	5/5/2015

B	TAK	5-19-15	REPLACED WS475S09 W/ WS475S10
A	RJP	5-5-15	RELEASED FOR PRODUCTION
REV	BY	DATE	DESCRIPTION

<b>SALCO PRODUCTS, INC.</b>			
PART NAME: <b>VALVE ASSEMBLY 2 1/2"X1"</b>			
MATERIAL: <b>SALCO PE/SS</b>			
PROJECT #:	H150501F	SHEET #:	1 OF 1
DRAWING #:	E41419	PART #:	HSCSLSHMULA11
SCALE: 3:4			