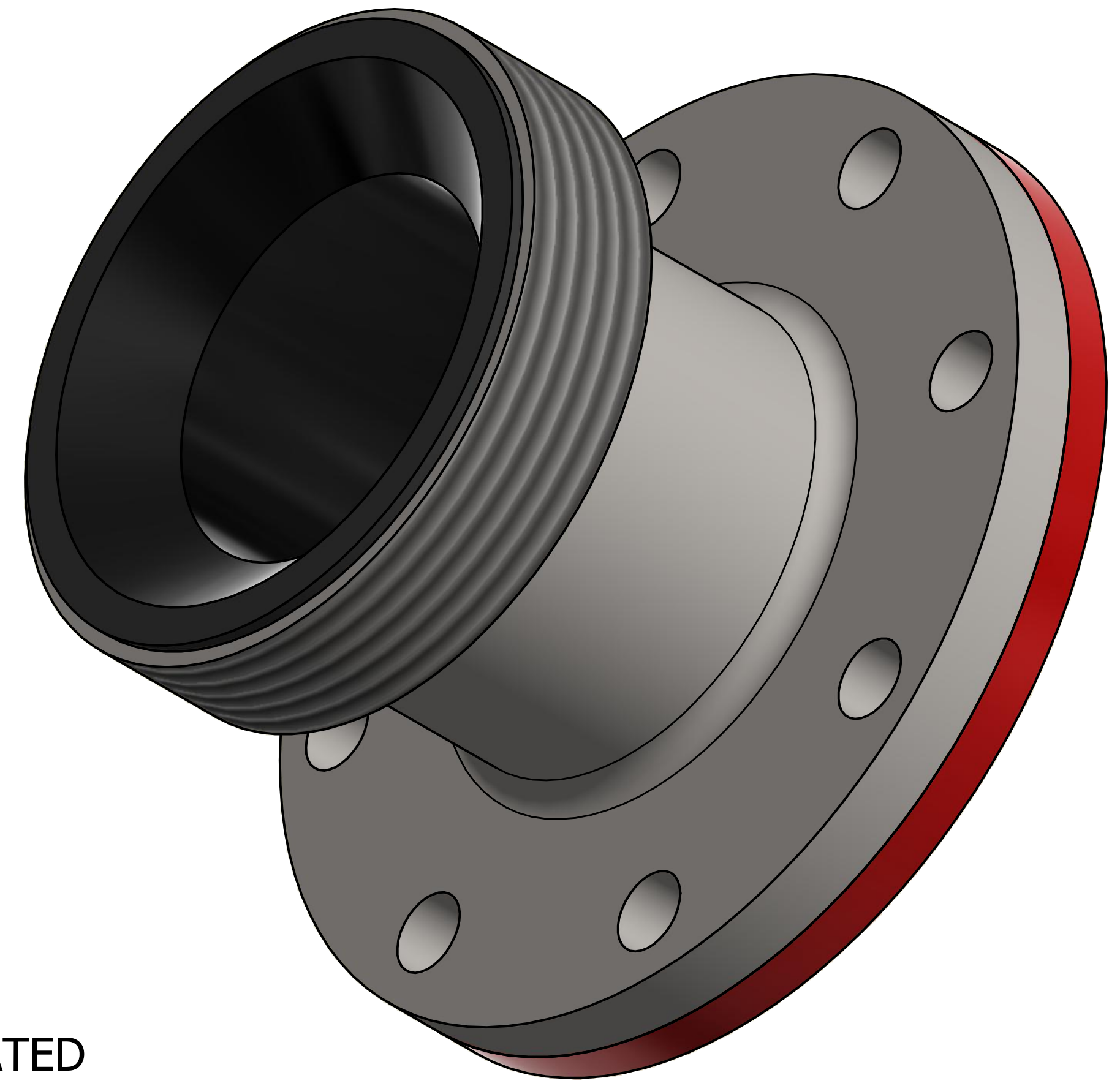
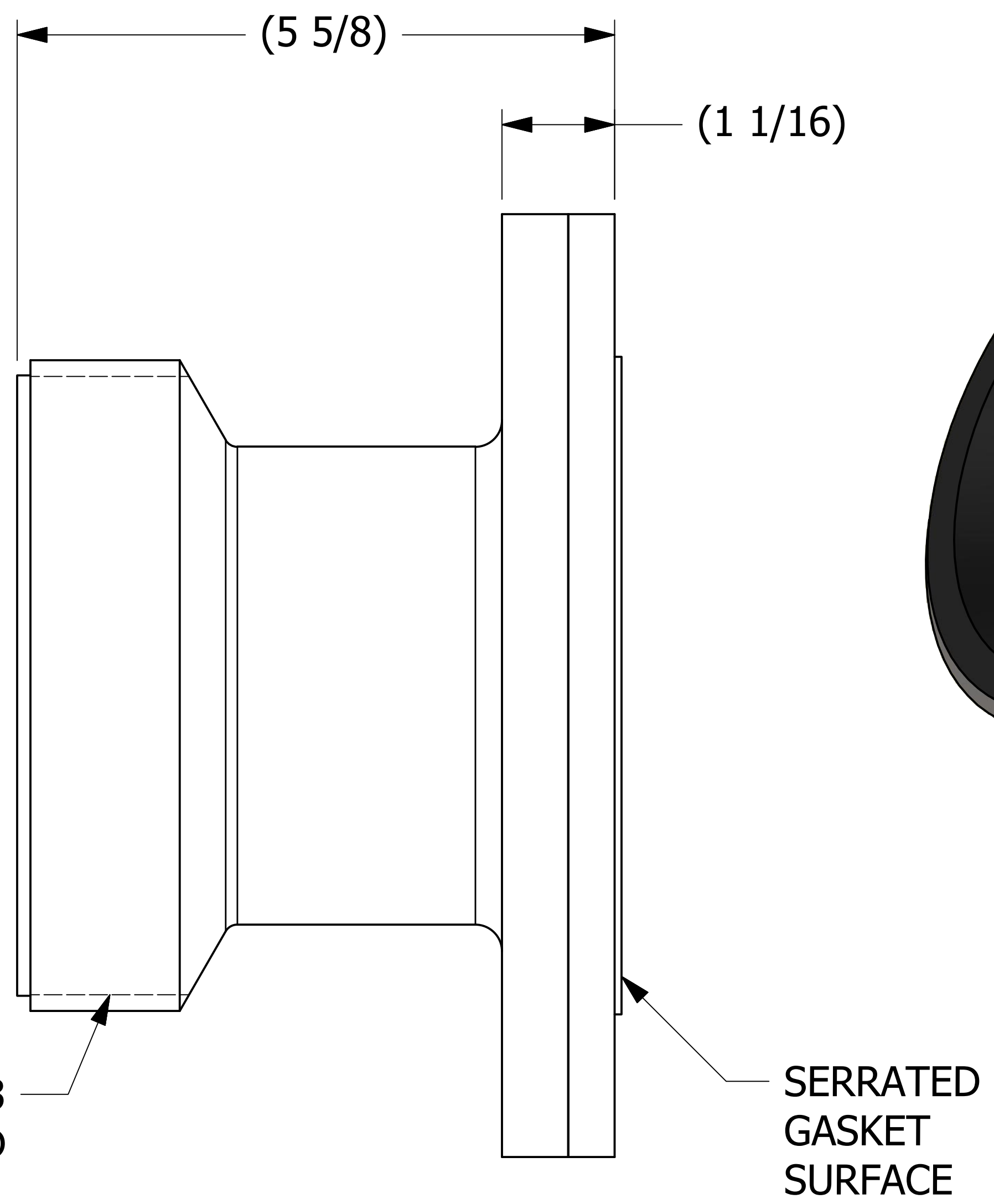
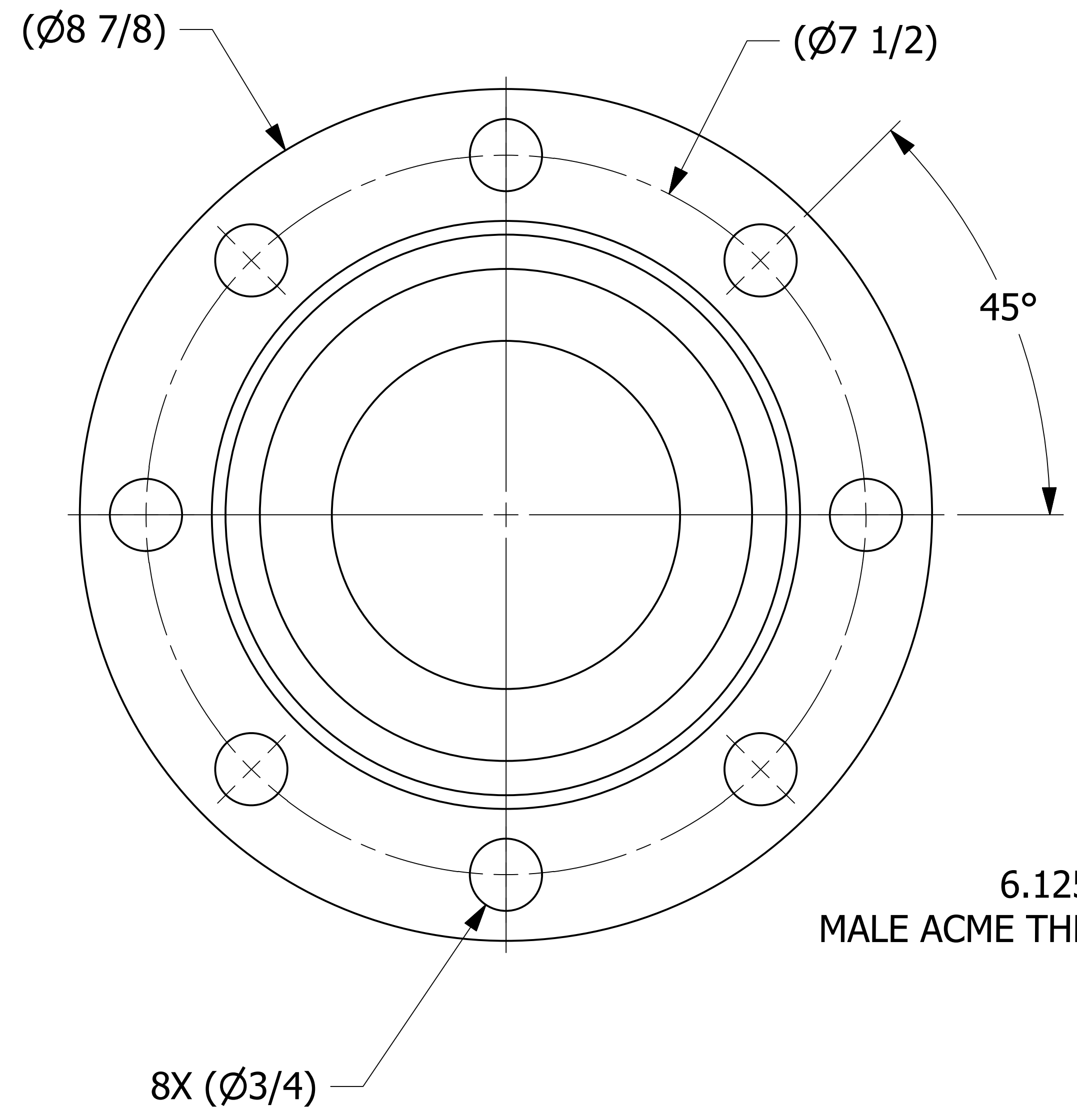


SALES DRAWING SALES DRAWING SALES DRAWING SALES DRAWING SALES DRAWING

SALES DRAWING SALES DRAWING SALES DRAWING SALES DRAWING SALES DRAWING



NOTES:  
 1. APPROXIMATE WEIGHT IS 18 LBS.  
 2. HAMMER UNION IS UNPAINTED.

UNLESS OTHERWISE SPECIFIED DIMENSIONAL TOLERANCES FRACTIONAL: $\pm 1/16$ X.XX: $\pm .03$ X.XXX: $\pm .015$ ANGULAR: $\pm 1^\circ$ DEBURR ALL SHARP EDGES. ALL MACHINED SURFACES TO HAVE A 125 RMS FINISH UNLESS NOTED OTHERWISE. THIRD ANGLE PROJECTION	DRAWN BY:	WEB
	CHECKED BY:	EJF
	PROTOTYPE DATE:	11/3/2016
	APPROVED FOR PRODUCTION BY:	EJF
	PRODUCTION DATE:	4/24/2018
SIZE:	D	
DRAWING #:	44582	

D	WEB	11/6/19	201911061100	WEB
REV	BY	DATE	REF #	PUB
<b>SALCO PRODUCTS, INC.</b>				
PART NAME: <b>LINED HAMMER UNION 4" FLANGED</b>				
MATERIAL: <b>DUCTILE IRON/SALCO PE</b>				
PROJECT #: <b>H161028T</b>			SHEET #: <b>1 OF 1</b>	SCALE: <b>1 : 1</b>
PART #: <b>HSHU4FXF206</b>				