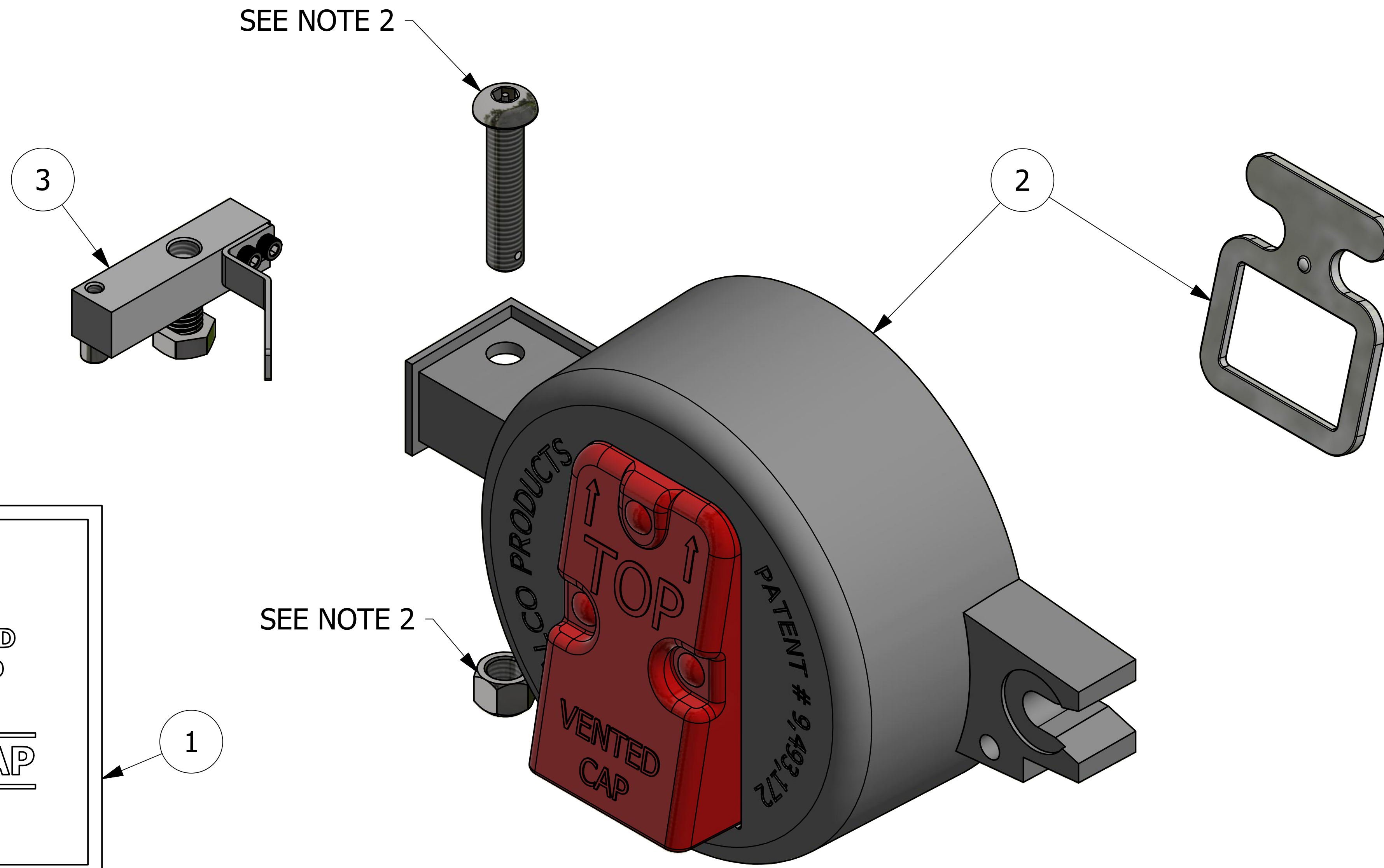


NO.	PART NAME	PART#	REQ'D	MATERIAL
1	OUTLET CAP DECAL	D51226	1	ADHESIVE BACKED VINYL
2	VENTED OUTLET CAP ASSEMBLY, EDSCO	RP100UTVOCA	1	ABS
3	BRACKET ASSEMBLY, EDSCO GATE	VOCHDWED	1	SS



  
**SALCO PRODUCTS, INC.**  
 VENTED OUTLET CAP INSTALLED  
 FAR SIDE CAP DOES NOT NEED  
 TO BE REMOVED TO UNLOAD  


---

**PLEASE REINSTALL CAP**  



---

 WHEN UNLOADING IS COMPLETE

- NOTES:**
- CAP TO BE USED WITH NOZZLE GASKET ONG712E (SOLD SEPARATELY).
  - VOCHDWED HARDWARE KIT AND A51363 BUTTON HEAD TAMPER HEX, LN37268 TOP LOCK NUT, AND BRSCEZ11612NPCXTR-F CABLE SEAL (NOT SHOWN), OF RP100UTVOCA TO SHIP LOOSE, DO NOT ASSEMBLE.
  - APPLY 3-6 DROPS OF LOCTITE THREADLOCKER #263 TO ALL FASTENERS OF VOCHDWED PRIOR TO APPLICATION TO GATE.
  - DECAL D51226 TO BE APPLIED TO CAR ABOVE GATE.

B	CHL	7/15/21	UPDATED NOTE #2 & NOTE #3
A	CHL	5/11/21	RELEASED FOR PRODUCTION
REV	BY	DATE	DESCRIPTION

UNLESS OTHERWISE SPECIFIED DIMENSIONAL TOLERANCES	DRAWN BY:	CHL
FRACTIONAL: ±1/16	CHECKED BY:	EJF
X.XX: ±.03	PROTOTYPE DATE:	2/1/2021
X.XXX: ±.015	APPROVED FOR PRODUCTION BY:	MJW
ANGULAR: ±1°	PRODUCTION DATE:	5/11/2021
DEBURR ALL SHARP EDGES. ALL MACHINED SURFACES TO HAVE A 125 RMS FINISH UNLESS NOTED OTHERWISE.	SIZE:	D
THIRD ANGLE PROJECTION	DRAWING #:	51299

  
**SALCO PRODUCTS, INC.**  
 PART NAME:  
**VENTED OUTLET CAP ASSEMBLY, EDSCO GATE**  
 MATERIAL:  
**SEE BOM**  
 PROJECT #: **R200707** SHEET #: **1 OF 1** SCALE: **1:1**  
 PART #:  
**RP100UTKIT**